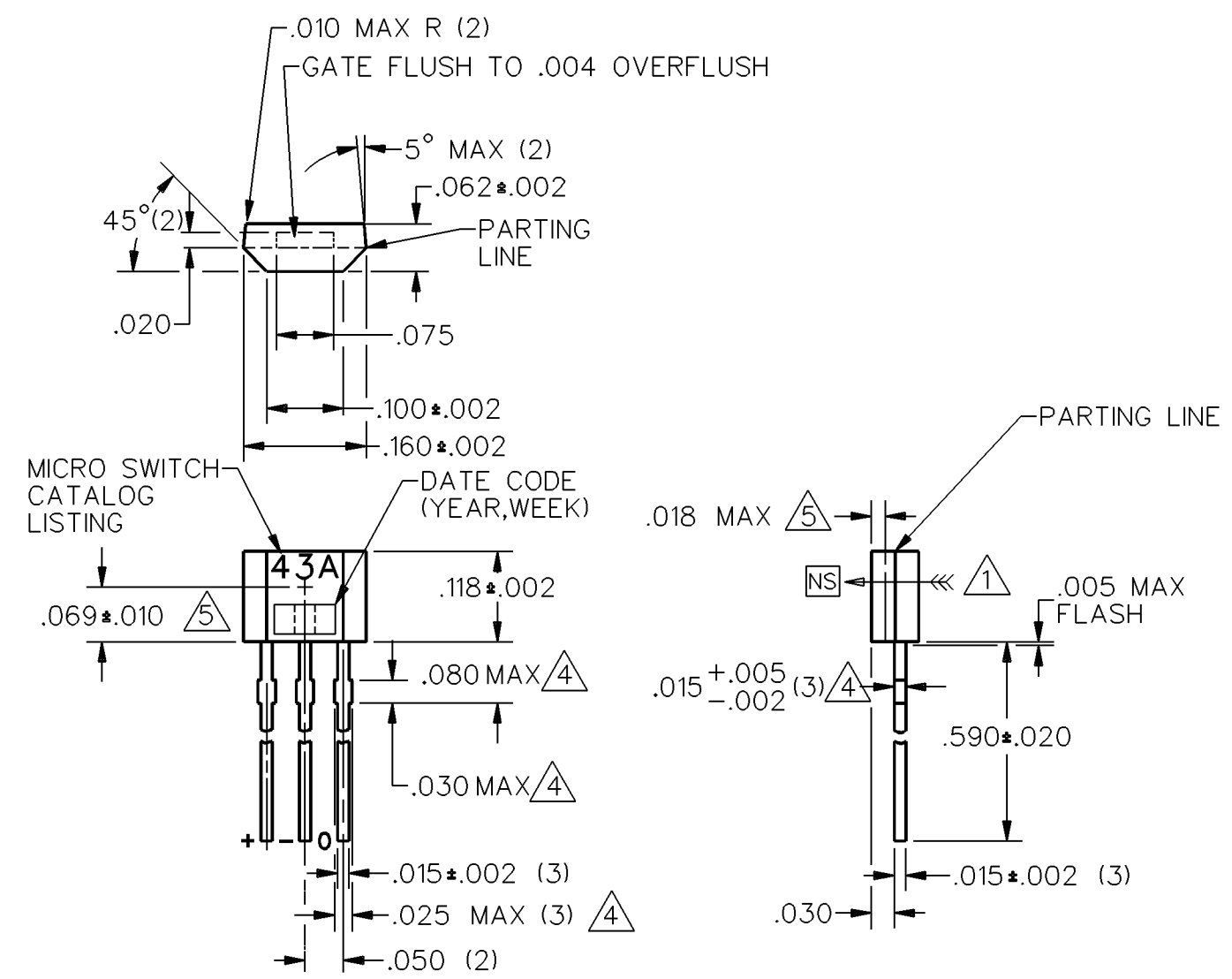


SS443A
 M
 2
 A0071617
 J.A.S.
 3 DEC 91
 DDM/CAD
 DRAWN
 J.A.S. 4 SEP 91
 CHECKED
 A.W. 9 SEP 91
 CHECKED
 PR-19358
 REPLACES

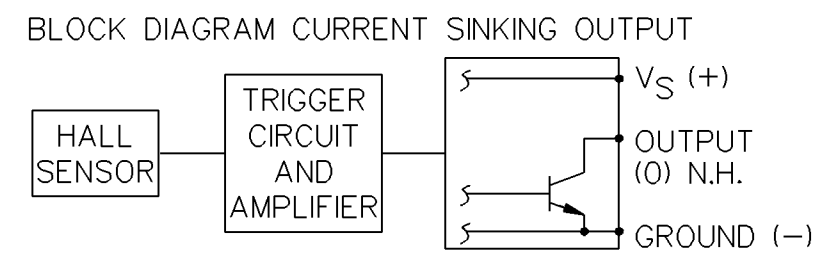
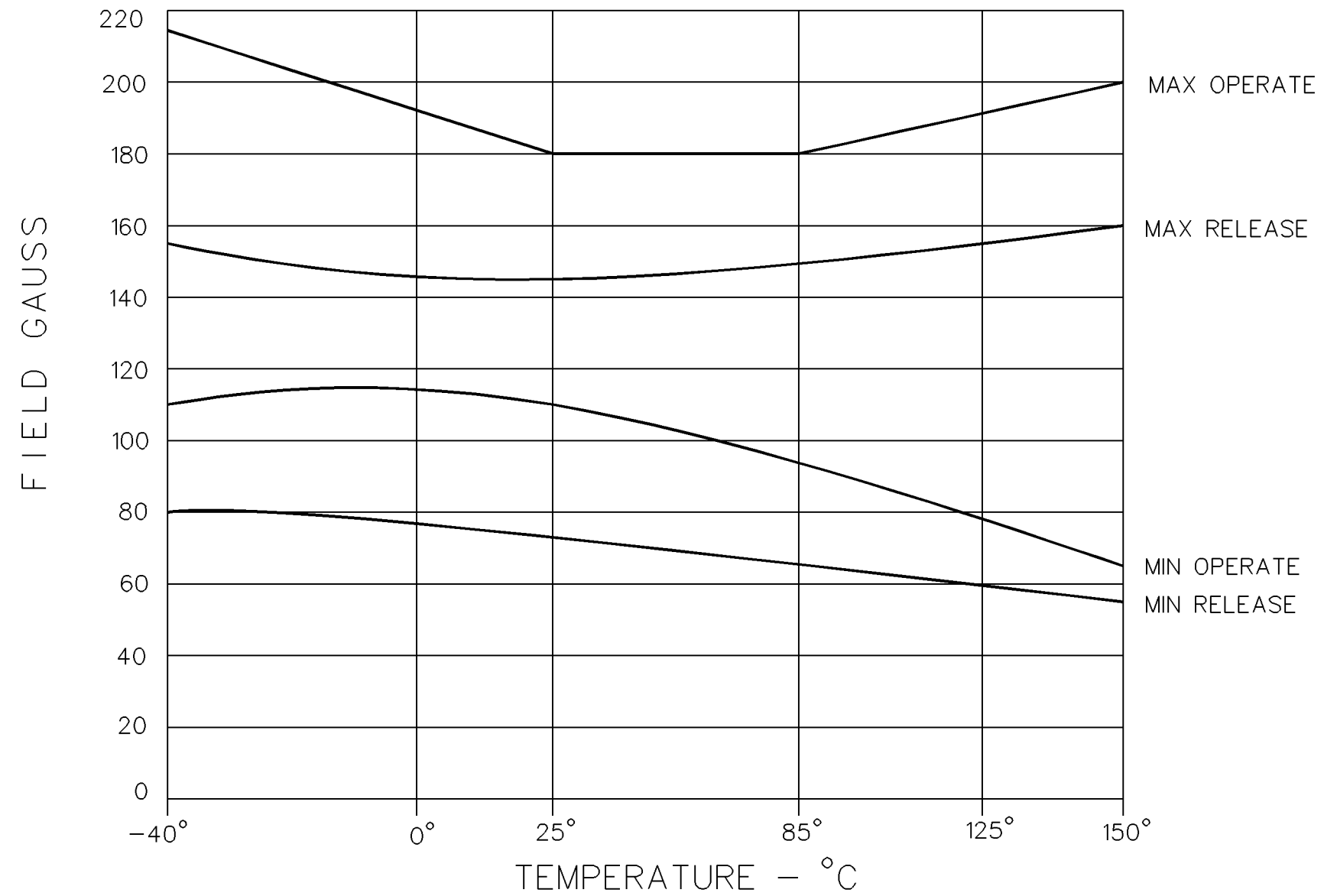


MAGNETIC CHARACTERISTICS /2						
TEMPERATURE RANGE	-40°C	0°C	25°	85°C	125°C	150°C
OPERATE GAUSS MAXIMUM	215	190	180	180	190	200
OPERATE GAUSS MINIMUM	110	110	110	90	80	65
RELEASE GAUSS MAXIMUM	155	150	145	150	160	170
RELEASE GAUSS MINIMUM	80	80	75	70	60	55
DIFFERENTIAL GAUSS MINIMUM	25	25	25	15	10	5

ELECTRICAL CHARACTERISTICS AT -40°C TO 150°C VCC=3.8V TO 24 VOLTS (UNLESS OTHERWISE NOTED)						
CHARACTERISTIC	SYMBOL	TEST CONDITIONS	MIN	TYP	MAX	UNITS
SUPPLY VOLTAGE	V _{cc}	SUPPLY VOLTAGE	3.8		24	V
SUPPLY CURRENT	I _{cc}	B > 250 G, V _{cc} =24, I _{SINK} =20 mA -40 C < T < 150C			10	mA
OUTPUT SATURATION VOLTAGE	V _{OL}	B > 250 G, V _{cc} =3.8V, I _{SINK} =20 mA			.4	V
OUTPUT LEAKAGE CURRENT	I _{OFF}	B < 0 G, V _{out} =24V, V _{cc} =24V			10.0	μA
RISE TIME	T _R	V _{cc} =12V, R _L =1.6K, C _L =20pf		.05	1.5	μSEC
FALL TIME	T _F	V _{cc} =12V, R _L =1.6K, C _L =20pf		.15	1.5	μSEC

ABSOLUTE MAXIMUM RATINGS /3				
CHARACTERISTIC	SYMBOL	MIN	MAX	UNITS
POWER SUPPLY	V _{cc}	-1	25	VOLTS
OUTPUT VOLTAGE (OFF)	V _{out}	-.5	25	VOLTS
OUTPUT ON CURRENT	I _{SINK}		50	mA
OPERATING TEMPERATURE	T	-55	160	°C
STORAGE TEMPERATURE	T _s	-65	160	°C
MAGNETIC FLUX	NO LIMIT			

- NOTES
- 1 THE MAGNETIC FLUX USED TO OPERATE THE SWITCH MUST BE IN THE DIRECTION AND LOCATION SHOWN (THIS ASSUMES THE CONVENTION THAT THE DIRECTION OF THE EXTERNAL FLUX OF A MAGNET IS FROM THE NORTH TO THE SOUTH POLE OF THE MAGNET)
 - 2 THE MAGNETIC FIELD STRENGTH (GAUSS) REQUIRED TO CAUSE THE SWITCH TO CHANGE STATE (OPERATE AND RELEASE) WILL BE AS SPECIFIED IN THE MAGNETIC CHARACTERISTICS. TO TEST THE SWITCH AGAINST THE SPECIFIED MAGNETIC CHARACTERISTICS, THE SWITCH MUST BE PLACED IN A UNIFORM MAGNETIC FIELD
 - 3 ABSOLUTE MAXIMUM RATINGS ARE THE EXTREME LIMITS THAT THE DEVICE WILL WITHSTAND WITHOUT DAMAGE TO THE DEVICE. HOWEVER, THE ELECTRICAL AND MAGNETIC CHARACTERISTICS ARE NOT GUARANTEED AS THE MAXIMUM LIMITS (ABOVE RECOMMENDED OPERATING CONDITIONS) ARE APPROACHED, NOR WILL THE DEVICE NECESSARILY OPERATE AT ABSOLUTE MAXIMUM RATING
 - 4 DIMENSIONS NOTED ARE DUE TO TIE BAR REMOVAL OPERATION AND ARE VALID ONLY IN THE TIE BAR AREA LOCATED WITHIN .080 DIMENSION
 - 5 HALL ELEMENT LOCATION WITH INTEGRATED CIRCUIT PLACEMENT TOLERANCE
 - 6 LEADS MUST BE ADEQUATELY SUPPORTED DURING ANY FORMING/SHEARING OPERATION TO ENSURE THAT THE LEADS ARE NOT STRESSED INSIDE THE PLASTIC
 - 7 PCB WAVE SOLDERING GUIDELINES ARE AS FOLLOWS:
 250° TO 260° C SOLDERING TEMPERATURE
 3 SECONDS MAXIMUM SOLDERING TIME



MASTER REDUCED
 ANSI Y14.5M-1982 APPLIES

THIS DRAWING COVERS A PROPRIETARY ITEM AND IS THE PROPERTY OF MICRO SWITCH, A DIVISION OF HONEYWELL. THIS DRAWING IS NOT TO BE COPIED OR USED WITHOUT THE APPROVAL OF MICRO SWITCH.

MICRO SWITCH
 a Honeywell Division

SOLID STATE SWITCH

CATALOG LISTING
SS443A

FED. MFG. CODE 91929

THIRD ANGLE PROJECTION	
SCALE	5:1
DO NOT SCALE PRINT	
UNLESS OTHERWISE SPECIFIED TOLERANCES ARE	
ONE PLACE	(.0) ±.030
TWO PLACES	(.00) ±.015
THREE PLACES	(.000) ±.005
ANGLES	±
WEIGHT	